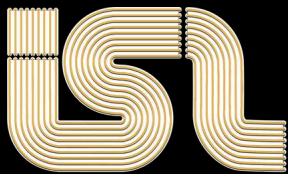
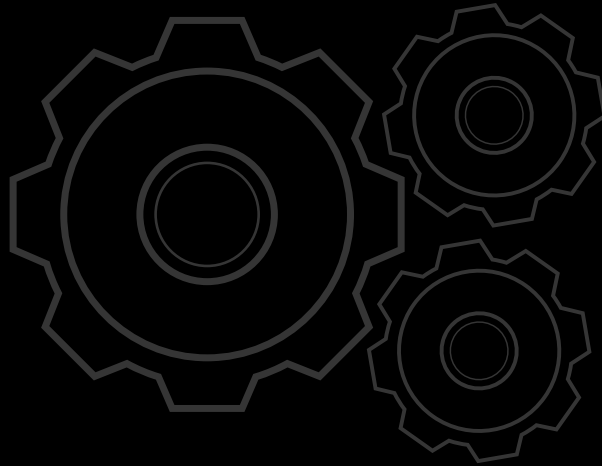


PRODUCTS & SERVICES

DC MOTORS & GEAR MOTORS



ISL Products International

Planetary Gear Motors | Spur Gear Motors | DC Motors | Worm Gear Motors | Stepper Motors |
Electric Motor Testing Service

1.800.626.6116 | info@islproducts.com | www.islproducts.com

Planetary Gear Motors



FIND A SOLUTION >



High Torque



Various Reduction Ratios

An Engineered Solution:

Built to meet or exceed your desired performance expectations. Value-Added options and customizations are encouraged!

The Right Fit:

Diameters: 6mm to 90mm / Types: Brushed or Brushless (BLDC)

Optimal Performance:

Rated Speed: up to 1,400 rpm / Rated Torque: up to 25Nm.
Voltages: 3VDC ~ 48VDC



ISL Products International

Planetary Gear Motors | Spur Gear Motors | DC Motors | Worm Gear Motors | Stepper Motors |
Electric Motor Testing Service

1.800.626.6116 | info@islproducts.com | www.islproducts.com

Spur Gear Motors



FIND A SOLUTION 



Compact Design



Cost-Effective

An Engineered Solution:

Built to meet or exceed your desired performance expectations. Value-Added options and customizations are encouraged!

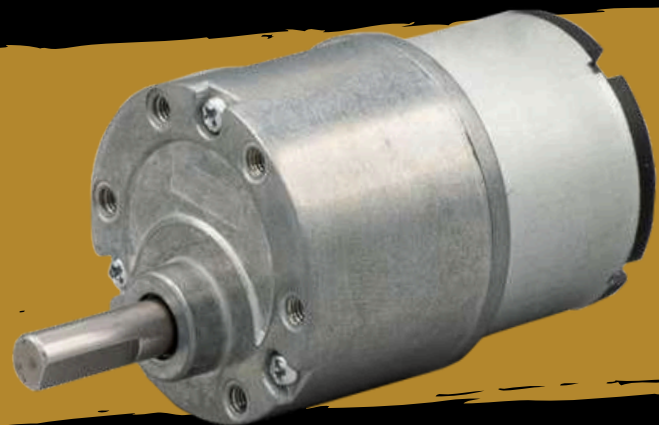
The Right Fit:

Diameters: 10mm - 30mm

Optimal Performance:

Rated Speed: up to 1,000 rpm / Rated Torque: up to 2Nm

Voltages: 3VDC ~ 48VDC



ISL Products International

Planetary Gear Motors | **Spur Gear Motors** | DC Motors | Worm Gear Motors | Stepper Motors | Electric Motor Testing Service

1.800.626.6116 | info@islproducts.com | www.islproducts.com

DC Motors



FIND A SOLUTION >

 **Brushed & Brushless**

 **Simple Integration**

An Engineered Solution:

Built to meet or exceed your desired performance expectations.
Value-Added options and customizations are encouraged!

The Right Fit:

Diameters: 6mm to 90mm / Types: Brushed or Brushless (BLDC)

Optimal Performance:

Rated Speeds: up to 25,000 rpm / Rated Torque: up to 2Nm

Gearheads: Planetary, Spur, Right Angle, Worm

Voltages: 3VDC ~ 48VDC



ISL Products International

Planetary Gear Motors | Spur Gear Motors | **DC Motors** | Worm Gear Motors | Stepper Motors |
Electric Motor Testing Service

1.800.626.6116 | info@islproducts.com | www.islproducts.com

Worm Gear Motors



FIND A SOLUTION >



Self-Locking Design



High Torque

An Engineered Solution:

Built to meet or exceed your desired performance expectations.
Value-Added options and customizations are encouraged!

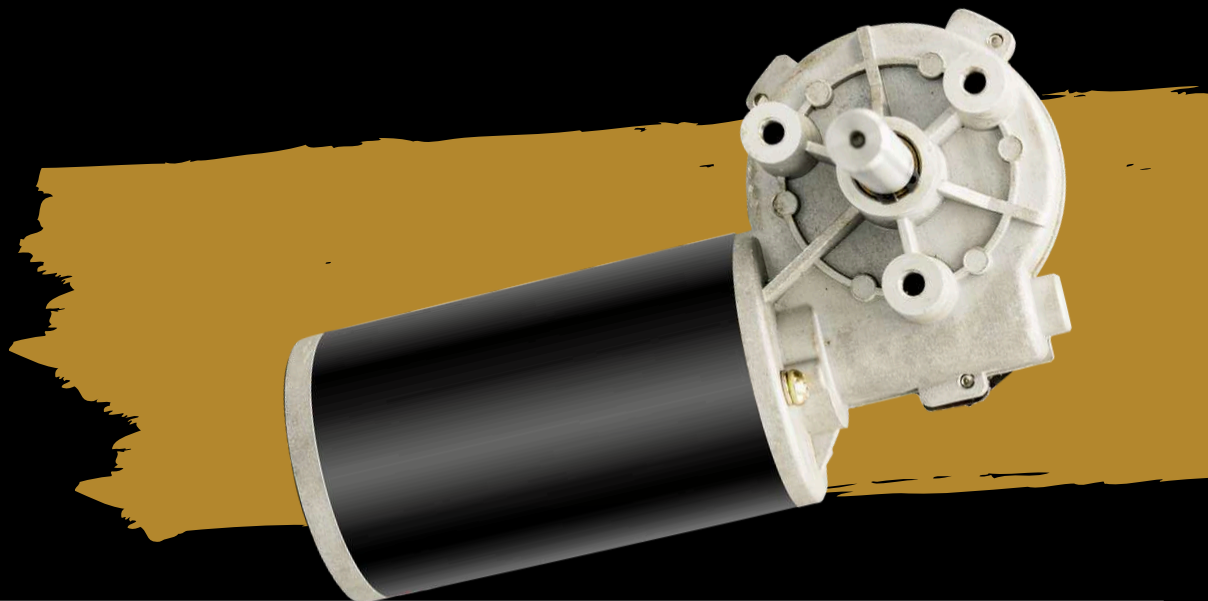
The Right Fit:

Diameters: 30mm to 90mm+

Optimal Performance:

Rated Speed: up to 400 rpm / Rated Torque: up to 30Nm

Voltages: 12VDC ~ 48VDC



ISL Products International

Planetary Gear Motors | Spur Gear Motors | DC Motors | **Worm Gear Motors** | Stepper Motors |
Electric Motor Testing Service

1.800.626.6116 | info@islproducts.com | www.islproducts.com

Stepper Motors



FIND A SOLUTION >



Precision Control



Geared Steppers

An Engineered Solution:

Built to meet or exceed your desired performance expectations. Value-Added options and customizations are encouraged!

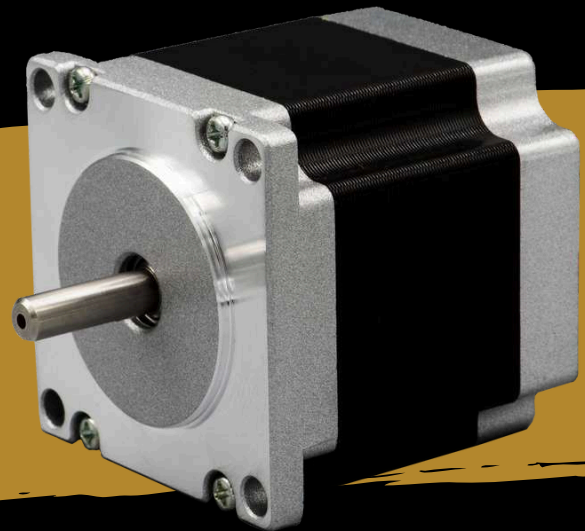
The Right Fit:

Sizes: NEMA8 to NEMA52 / Types: Hybrid, PM, Linear, Dual Shaft

Optimal Performance:

Holding Torque: up to 40Nm. / Step Angles: 0.9°, 1.2°, 1.8°

Gearheads: Planetary



ISL Products International

Planetary Gear Motors | Spur Gear Motors | DC Motors | Worm Gear Motors | **Stepper Motors** | Electric Motor Testing Service

1.800.626.6116 | info@islproducts.com | www.islproducts.com

Electric Motor Testing Service



GET A QUOTE



Load Simulation



Comprehensive Analytics

Full Spectrum Testing:

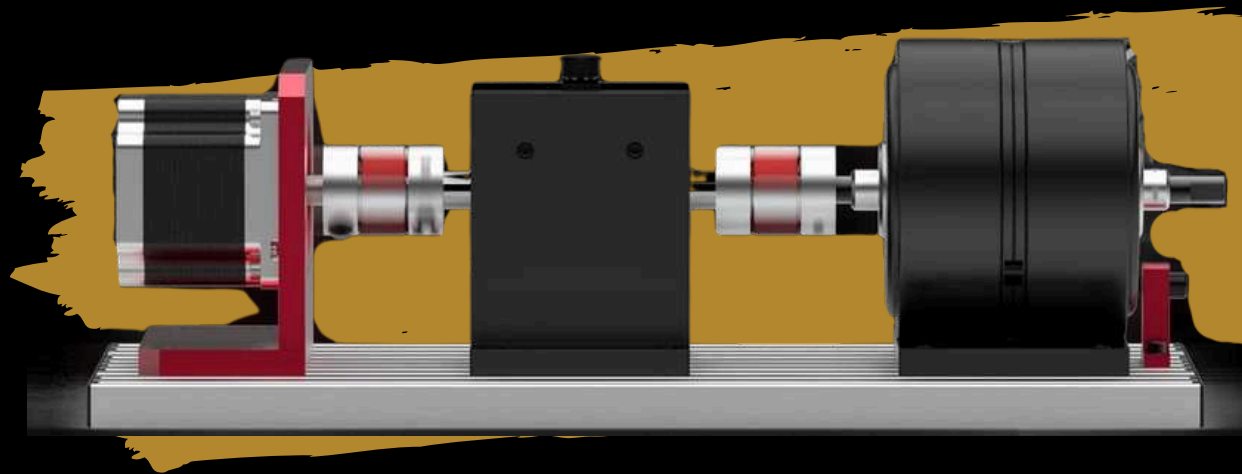
Utilizing our various in-house dynamometers we provide a variety of tests from No Load to Stall conditions. Providing you with a complete representation of your motor or gear motor performance specifications.

Parameters Included:

Speed, Torque, Current Draw, Output Power and Efficiency

Motor Evaluation Report:

Compiled of test data and photos. Including types of tests performed, description of samples, performance curves & raw test data.



ISL Products International

Planetary Gear Motors | Spur Gear Motors | DC Motors | Worm Gear Motors | Stepper Motors |
Electric Motor Testing Service

1.800.626.6116 | info@islproducts.com | www.islproducts.com